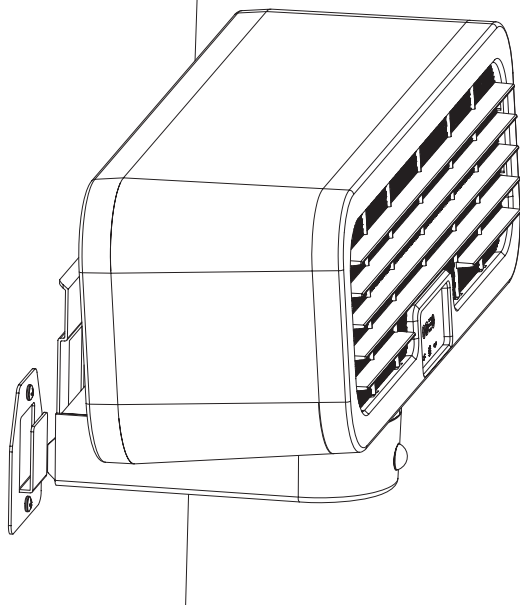


# UPPERVIOLET

---



## Installation Guide

- ODEO.1
- ODEO.2
- ODEO.3
- ODEO.4

# Safety

---

## SAFETY INFORMATION

### WARNING



To reduce the risk of fire, electric shock, or injury to persons, please follow the instructions below:

- Use this device only in the manner intended by the manufacturer.
- This device is not intended for use by persons (including children) with reduced physical, sensory, or mental capabilities.
- This device is not intended for use by persons with lack of knowledge and experience with upper-room devices or air sterilizers and deodorizers, unless they have been given supervision or instruction concerning use of this unit by a person responsible for their safety.
- Children shall not play with the appliance.
- Cleaning and user maintenance shall not be made by children.
- Only operate this device with the AC adaptor provided. Failure to do so will result in the voiding of the device's warranty.
- Do not operate the device with a damaged power cord or AC adaptor.
- Do not attempt to alter or modify the power cord or AC adaptor.
- Do not run cord under carpeting.
- Do not cover the cord with throw rugs,

runners, or similar coverings.

- Do not route the cord under furniture or appliances.
- Arrange the cord away from trafficked areas to ensure it will not be tripped over.
- Prior to cleaning or other maintenance, the appliance must be switched off and disconnected from the supply mains.
- Do not use the fan in this device with any solid-state speed control device
- Always disconnect power before servicing.

### ODEO.1/2/3 models only

- This device contains two UVC emitters.
- Do not stare at the light source.
- Unintended use of the device or damage to the housing may result in the escape of dangerous UVC radiation.
- UVC radiation may, even in small doses, cause harm to the eyes and skin.
- Devices that are obviously damaged must not be operated.
- Skin or eye damage may result from directly viewing the light produced by the lamp in this apparatus.



Read the product manual for important safety information before installing, operating or servicing your ODEO unit.

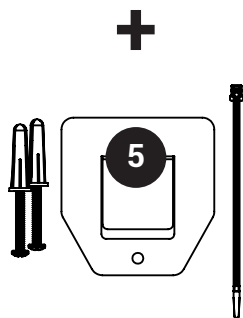
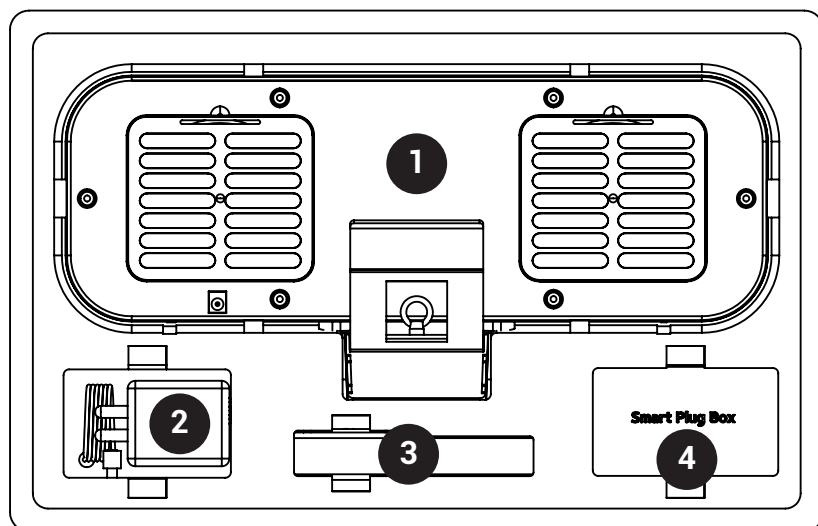
**INB will not be responsible for any injury or loss resulting from the user's failure to install, operate or service this device in accordance with its product manual, which is subject to periodic updates.**

# Package Contents

---

When you open your ODEO, you will find the following contents.

**Caution:** Unbox the ODEO main body with care, avoid applying excessive force.



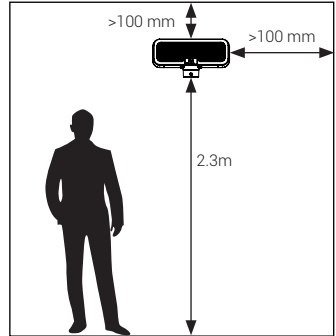
- |   |   |
|---|---|
| 1 | Main Body   |
| 2 | Power Adaptor DC 12V 4A with plug and 2.5 m cable                     |
| 3 | Remote Control (incl. wall bracket)                                   |
| 4 | Wi-Fi Smart Plug (optional)   |
| 5 | ODEO Wall Bracket (incl. x2 plug anchors, x2 bolts and x2 cable ties) |

# Installation

1

Install ODEO at a height of 2.3m (7ft) or higher from the floor and 100mm from the ceiling.

1. Ensure the unit is installed at more than 100mm of distance from the ceiling to allow rotation.
2. Place the unit at a suitable distance from the corners to secure rotation.
3. Consider the installation location based on the cable length of 2.5m.
4. Do not block the air inlet or air output of the unit.

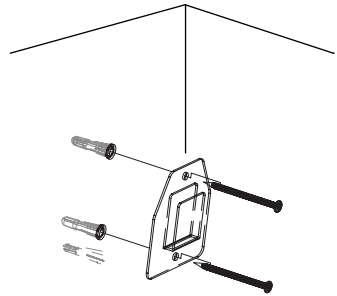


For optimal odor reduction, place the unit as close to the source of odors as possible, such as above urinals or toilets.

2

Place the wall bracket at the designated area on the wall.

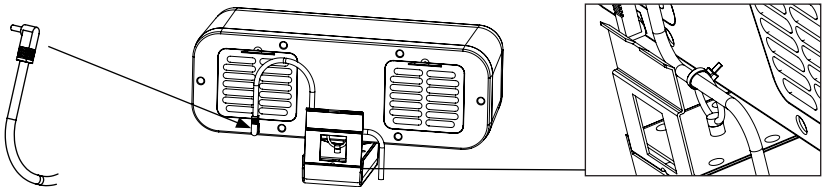
1. Use a level to ensure precise vertical alignment of the bracket.
2. Once positioned accurately, secure the bracket to the wall using the provided M4 x 32mm screws and anchors, inserting them into the bracket holes.
3. Ensure a tight and stable fit against the wall, preventing any shaking or instability.



3

Plug the DC jack at the back of the unit.

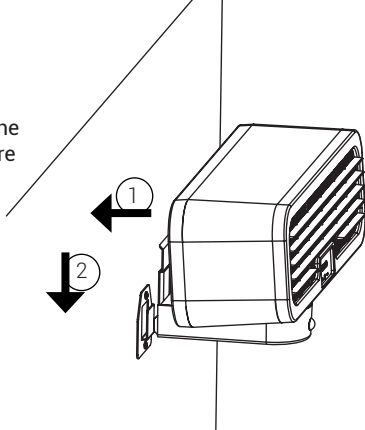
1. Use the DC 12V 4 A certified dedicated adapter included in the box.
2. After connecting the DC jack at the back of your ODEO, keep about 200 mm of cable length between the DC jack and the eyebolt at the back of the unit.
3. Use a cable tie to secure the adapter cable to the eyebolt. Tightening it, to ensure a stable connection and prevent accidental disconnection during product rotation.



4

Attach and secure the arm of your ODEO onto the bracket by following the directions on the picture and below.

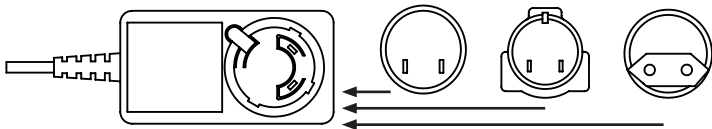
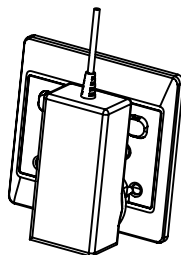
1. Ensure the front display faces towards the room. Align your ODEO with the wall bracket and ensure that the attachment points on the arm match those on the bracket.
2. Insert the connection part of the arm of the product into the attachment clip of the wall bracket. Lower the product down with care.
3. Ensure the arm is fixed securely and the main body is not tilted.



5

Connect the power cord to the designated socket.

1. Assemble the AC adaptor with the correct plug based on your region.
2. Insert the AC adaptor into your wall socket.
3. After plugging the power cord to the socket, fix any sagging cables to prevent tripping hazards and other accidents as well as to ensure a compliant installation. You can protect the cables with a wall cord cover.

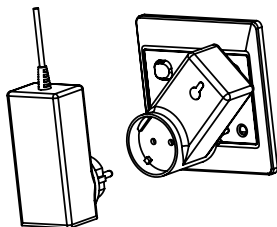


6

(Optional) Alternatively, you can connect the power cord to a Wi-Fi smart plug.

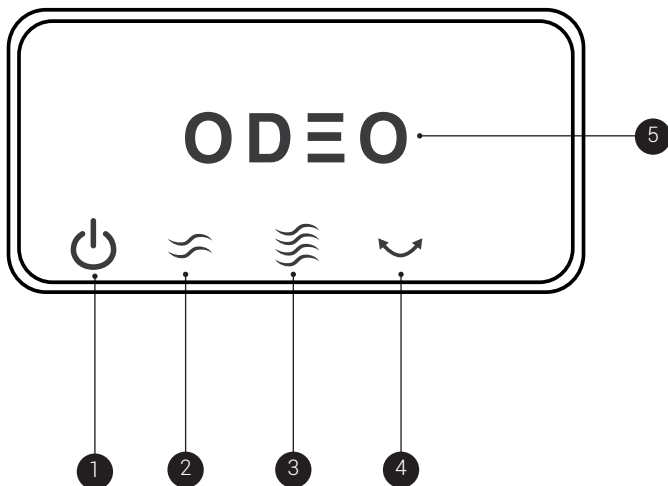
**Caution:** Wi-Fi smart plugs (or switches) vary by country. Ensure you use the right smart plug for your country. Refer to your Wi-Fi smart plug manufacturer's documentation for accurate and detailed guidance.

1. Connect your ODEO to the Wi-Fi smart plug.
2. Pair the smart plug with your smartphone.
3. Use the app of your Wi-Fi smart plug to create schedules and control your product through a Wi-Fi network.

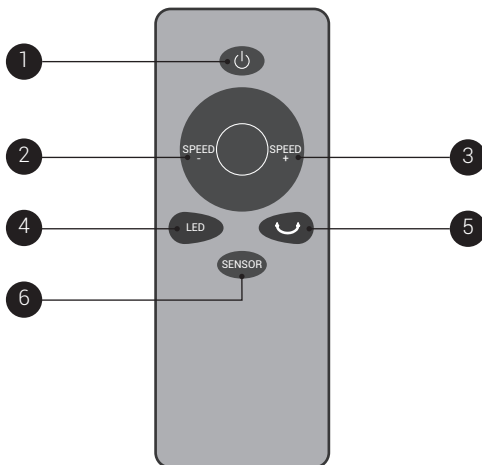


# Controls Overview

---



1	<b>Power</b>	Turns the unit ON and OFF.
2	<b>Fan Speed 1</b>	Indicates the lowest fan setting (Fan1) is on.
3	<b>Fan Speed 2</b>	Indicates the highest fan setting (Fan2) is on.
4	<b>Rotation</b>	Indicates rotation feature is activated.
5	<b>ODEO Logo</b>	Indicates if unit is ON or OFF. ODEO.1/2/3 models only: It changes color to indicate modes of operation* (see product manual)



<b>1 Power button</b>	Turns the unit ON and OFF.
<b>2 Fan Speed Down Button</b>	Decreases the fan speed.
<b>3 Fan Speed UP Button</b>	Increases the fan speed.
<b>4 ODEO LED Logo Button</b>	Turns the front LED logo ON and OFF.
<b>5 Rotation Button</b>	Turns the rotation ON and OFF*.
<b>6 PIR Motion Sensor Button</b>	ODEO.1/2/3 models only: Turns the PIR motion sensor ON and OFF.

\* Deactivating the rotation function will bring the unit to a stop and will remain at the current position. The unit will not return to its default position.

\*\* Insert 2 x AAA batteries (batteries not included).

\*\*\* You can install the remote control bracket onto the wall – so you don't forget the remote control!



**INB Korea LTD**

53-1, Sinheung-ro 420 beon-gil,  
Bucheon-si, Gyeonggi-do,  
South Korea

For product support, please contact us or your authorised local distributor:

E-mail:

[info@inbtech.net](mailto:info@inbtech.net)

Website:

[www.upperviolet.com](http://www.upperviolet.com)

[www.inbtech.net](http://www.inbtech.net)

**IN $\exists$ tech**

[www.inbtech.net](http://www.inbtech.net)